

Description of Product For CF1505-02xe

Ver. 20150409.001



CATALOG

1	Structure	2
2	Summary	3
3	Technical Specifications	4
4	Installation of J-Box	5
5	Notes	7

Changshu Friends Connector Technology Co., Ltd.

Add.: No.2, Zhongtian Road, Area E, Changkun Industrial Park, Southeast Economic Development Zone,

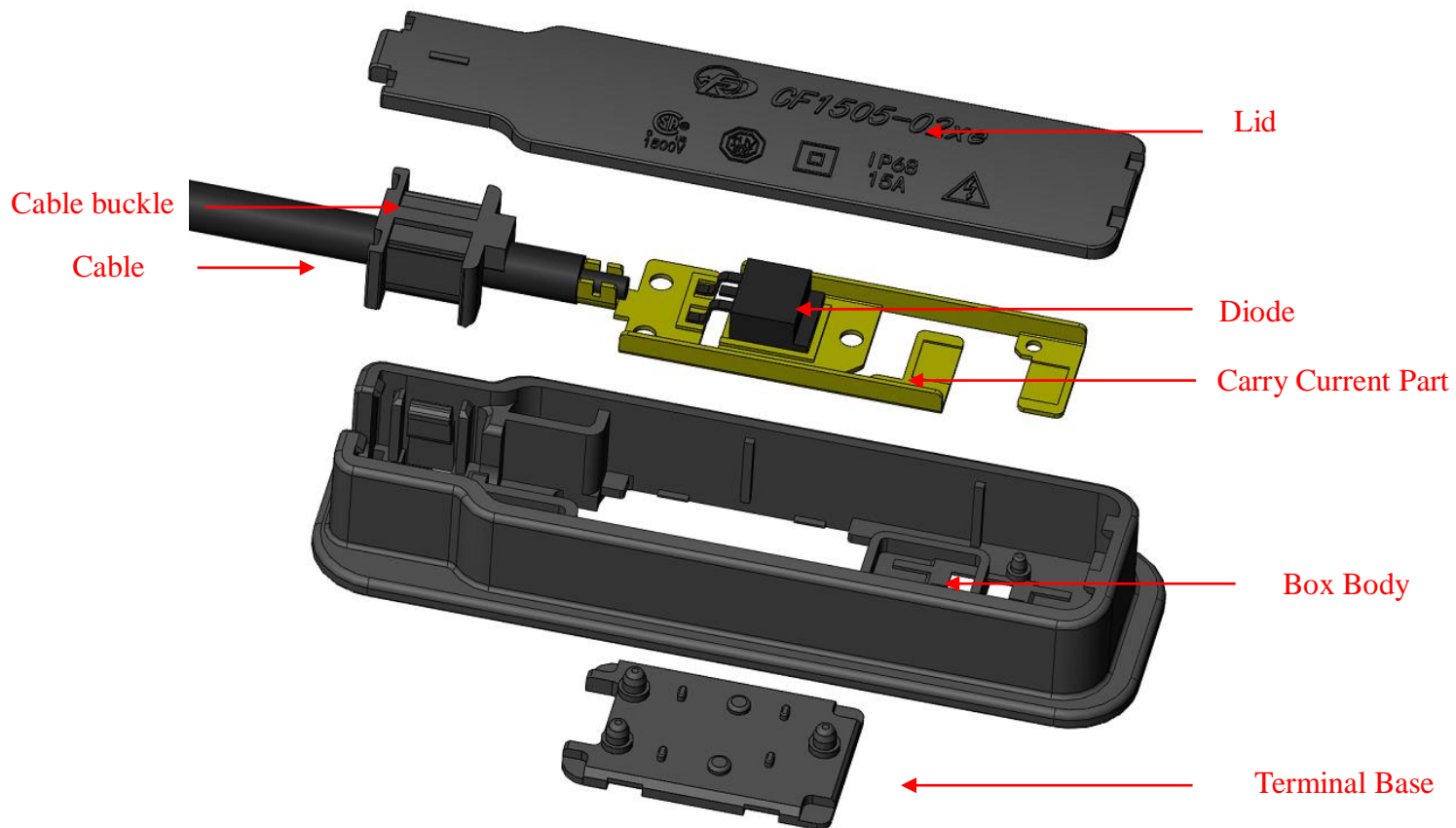
Shajiabang Town, Changshu City, Jiangsu Province

Tel: 0512-52618818 / 52477866 Fax: 0512-52477355

Email: frd@frdsolar.com Website: www.frd solar.com

1 Structure

CF1505-01xe exploded view



2 Summary

CF1505-02xe is a new design Junction Box to provide a secure, steady and reliable solution for the connection of module.

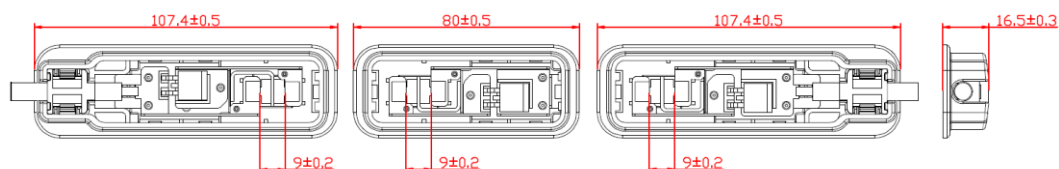
2.1 Naming rules

CF1505-02ae -----the J-Box with the “-”connector;

CF1505-02be -----the J-Box without the connector;

CF1505-02ce -----the J-Box with the “+”connector;

Size of the Box



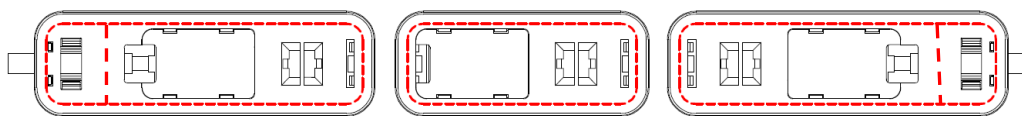
Material	PPO
Color	Black
Specification of Cable	1×4.0mm ² & 12 AWG
Diameter	6.4±0.2mm
Quantity of Diode Per-box	3
Width of Ribbons	2 to 8mm
Volume of Potting	15ml/13ml/15ml

3 Technical Specifications

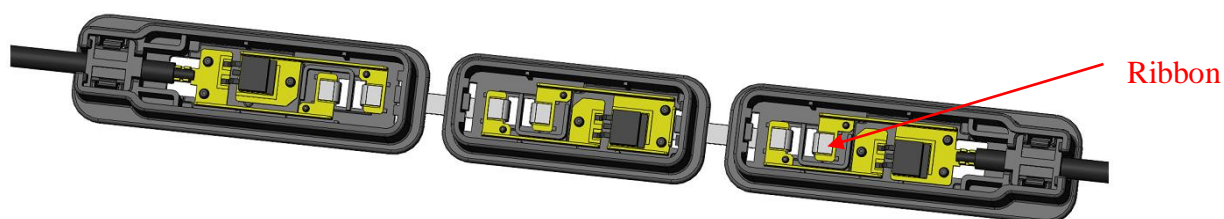
Technical Data Sheets	
Application class	Class A
Over Voltage Category	III
Rated Voltage	TUV1500V DC&CSA1500V
Rated Current	15A
Reverse Current	30A
Ambient Temperature	-40°C to 85°C
Degree of Protection	IP68(after potting)
Pollution Degree	1
Flammability class	5VB

4 Installation of J-Box

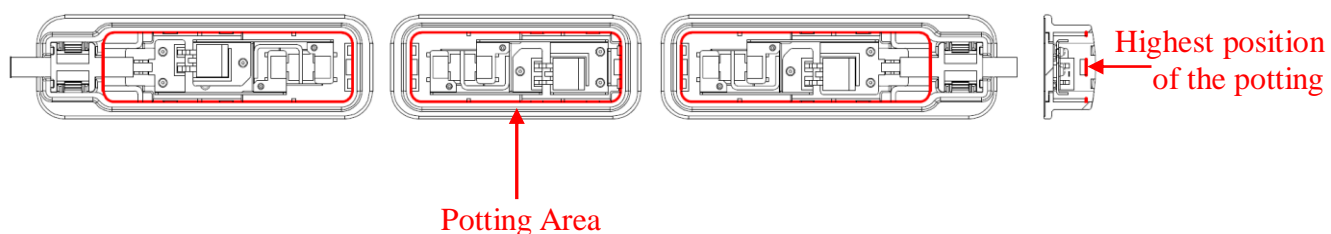
- a) Apply the silicone onto the edge of back J-Box on the bottom with a silicone gun, and then stick J-Box to the appropriate area of back sheet of PV module.



- b) Insert ribbon into the ribbon hole in the conductor, solder it firmly; and then press the ribbon bending to the welding surface of conductor.



- c) Pot J-Box with potting material until it blankets ribbons and conductor, the potting material should be smooth and no bubbles.



- d) Cover lid after the potting material is solidified. Insert to the 2 corners.

2 Corners & Push Direction



- e) Press the side of lid and move down slowly. Insert the locking slots to the body cover.

Lock the slots



5 Notes

- a) Energized operation is dangerous when installing the J-Box or Connectors.
- b) J-Box and Connectors cannot expose in organic solvents or corrosive substances.
- c) Connectors cannot afford more than 100N pulling force. Take it gently when transporting. J-Box or Connectors cannot be washed by water cannons directly when cleaning the component.
- d) Connectors should not be installed in the lowlands where easy to accumulate rainwater or dusts.
- e) Different series Connectors of J-Box are not allowed to do a cross-mating combination.
- f) Cable cannot be bended hardly for long time; otherwise cable will be damaged.
- g) Connectors should be inserted in places; otherwise it is unable to seal the wiring harness.
- h) It should be holding the head of connectors, not holding the cable when installing or separating Connectors.